

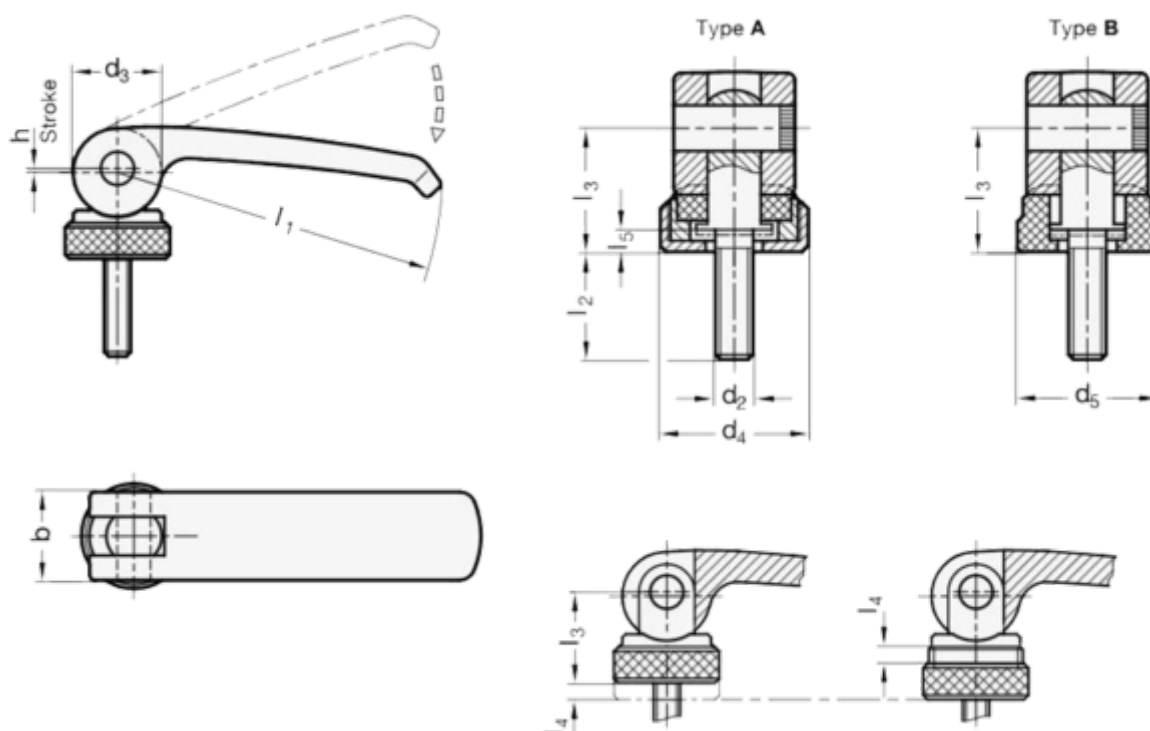
Data Sheet



Article number: 20927101M1025BB

Description: E+G Clamping lever GN 927-101-M10-25-B-B
in black, male thread

Measures



b = 25
d2 = M10
d4 =
d5 = 27
l1 = 101
l2 = 25